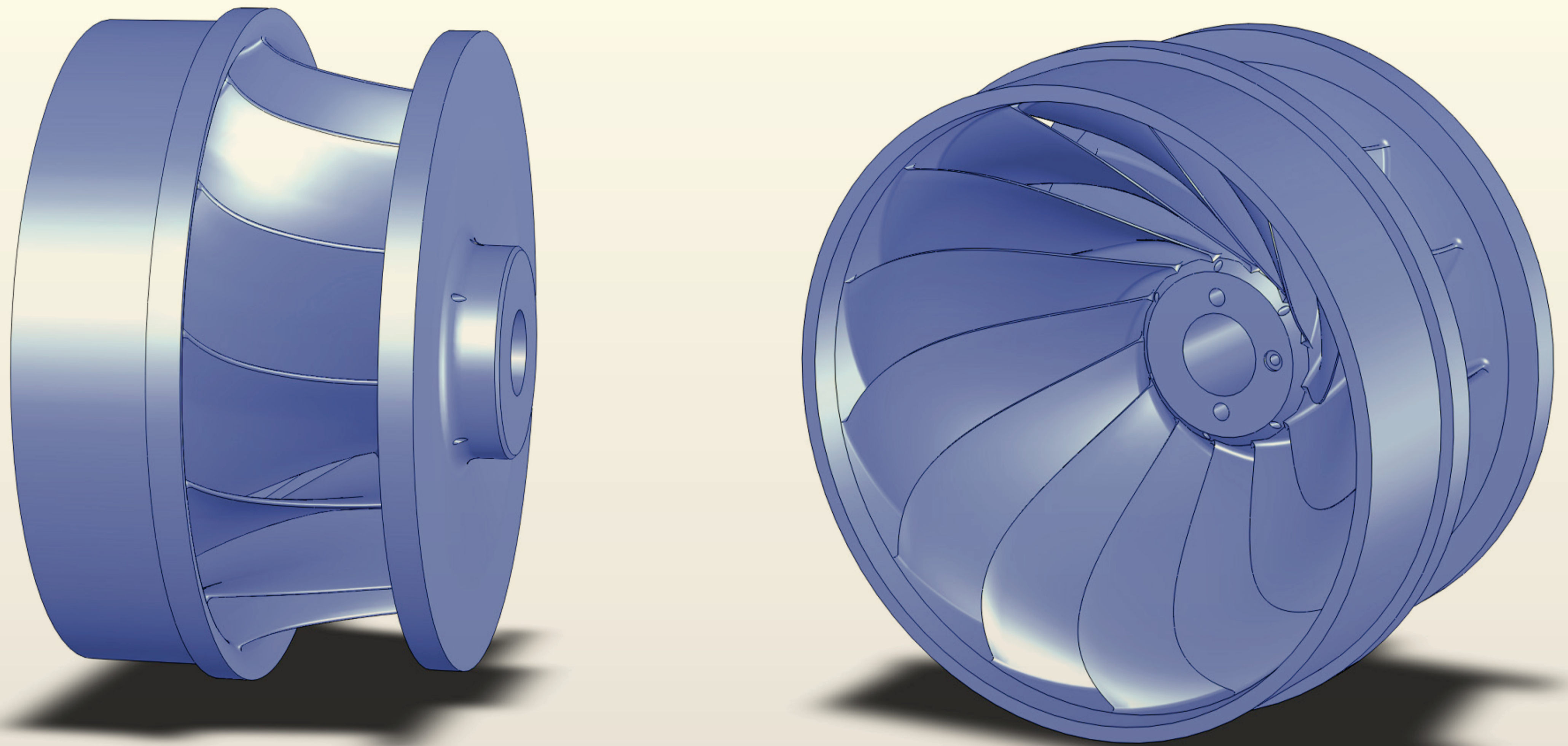


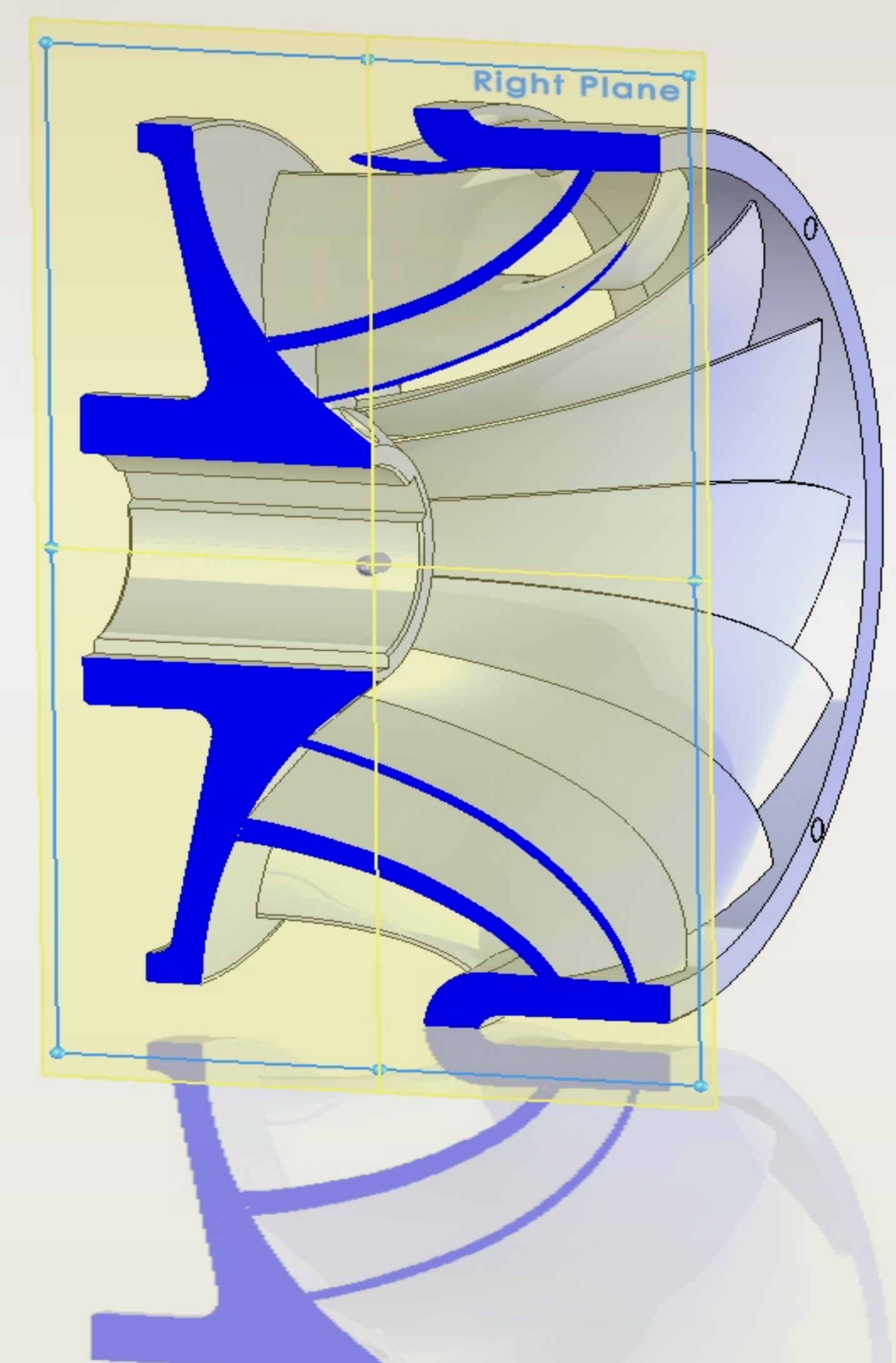
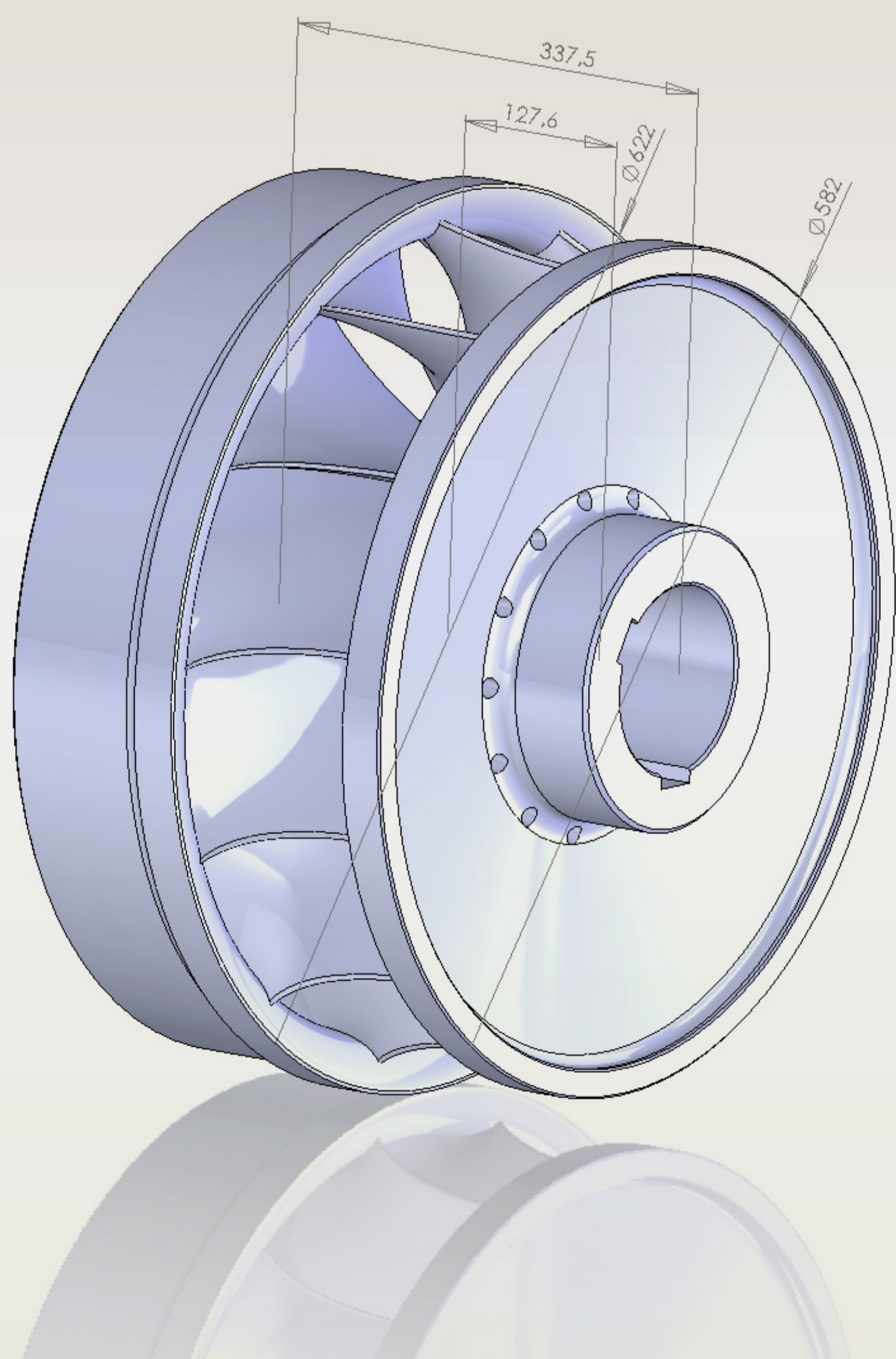


FRANCIS RUNNERS

TF-622-128 Mat. 1.4317 (1.4313) Teža: 176kg



3D Modeling
3D 5 Axis machining
Material: Inox, Bronze, Other materials



Casted - Lost Foam Process
Machines - Welded Blades
Thermar Threaded